

FORD RANGER VACCINE CARRIER



5 YEAR
100,000
KILOMETRE
WARRANTY



NiUFORD

For more information contact: fleetsales@pngmotors.com.pg | fordpng.com

FORD RANGER

VACCINE CARRIER

Vehicle Details

Manufacturer	Ford
Model	Ranger Single Cab
Engine	2.0L Turbo Diesel
Power (kW/PS)	125/170 @ 3500 rpm
Torque (Nm)	405 @ 1750 - 2500 rpm
Drivetrain	4X4 / 4X2
Transmission	6-speed manual / 5-speed manual
Fuel tank capacity	80L
Wheels	16" steel wheel
Tires	255/70 R16 / 215/70 R16

Vehicle Dimensions (mm)

Length	5410
Width	1850
Height	2420
Angle of approach (°)	31
Angle of departure (°)	20
Wheelbase	3220
Track width	1560
Ground clearance	230
Turning circle (m)	12.4 (for 4X4)

Base Vehicle Weight Table (kg)

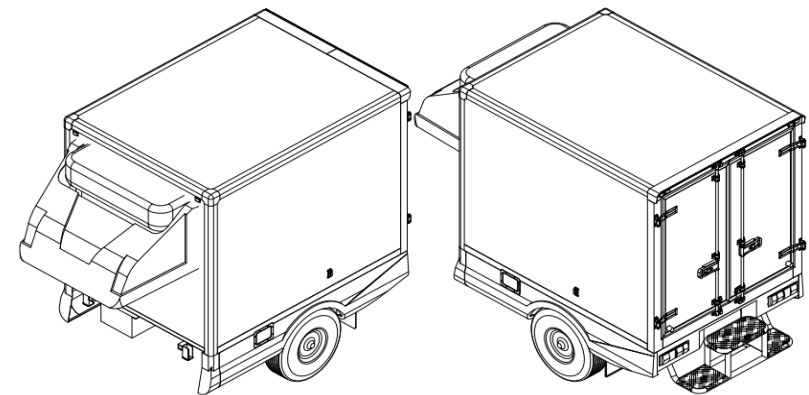
Base vehicle unladen kerb weight	1705
Modified vehicle unladen kerb weight	2573
Payload capacity	627
Gross modified vehicle weight	3200

Standard Features

Reefer box ABS or FRP Sandwich panel with Aero Roof	LED front and rear marker lights
FRP skirts or side bar package	Ride height adjustment suspension
Refrigeration engine driven system (-25C)	Heavy duty rear step
LED interior light with driver control switch	

Optional Features

Stainless rack with sliding mechanism	Standby refrigeration system 220V with auto changeable from engine driven
Stainless rack (fixed type)	Hi-Load suspension upgraded
Front mounted Nudge bar	Vehicle painting



Box dimensions:
L = 2400mm
W = 1810mm
H = 1800mm

Notes:

The company reserves the right to change the vehicle specifications and features described in this publication at any time. Vehicle specifications and features may vary in different markets. Images are for illustrative purposes only and may appear different from the actual vehicle.



For more information contact: fleetsales@pngmotors.com.pg | fordpng.com