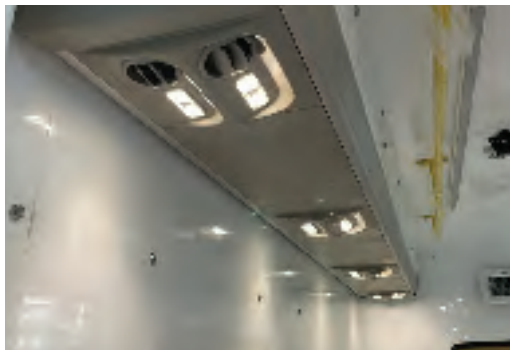


FORD TRANSIT LIFE SUPPORT AMBULANCE



Ambulance body and storage cabinet



Air conditioning switch and control panel



Digital touchscreen patient compartment control board



Oxygen set with bracket (M122, 21.4L) - dual tanks



NiUFORD

For more information contact: fleetsales@pngmotors.com.pg | fordpng.com

FORD TRANSIT

LIFE SUPPORT AMBULANCE

Vehicle Details

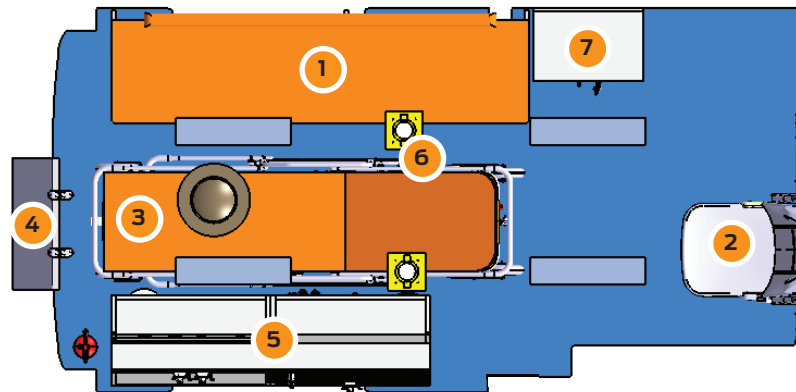
Manufacturer	Ford
Model	Transit 410L high roof
Engine	2.2L Turbo Diesel
Drivetrain	RWD
Transmission	6-speed manual
Wheel	6.5 X 16" steel wheel

Dimensions (mm)

Length	5981
Width	2059
Height	2790
Wheelbase	3750
Track width (front/rear)	1732/1743
Maximum loadspace width	1775
Turning circle (m)	13.3

Weight Table (kg)

Modified vehicle kerb weight	2963
Payload capacity	1137
Gross vehicle weight	4100



Layout Plan

- 1 Bench seat with underneath storage and lap belts - 2 persons
- 2 Flip-up doctor seat
- 3 Main stretcher
- 4 Main stretcher ramp
- 5 Cabinet – Oxygen cylinders and medical device
- 6 Patient compartment led lights
- 7 Medical equipment cabinet

Standard Features

Ambulance body

- Fiberglass hygienic interior panels
- Patient area anti-slip floor
- Patient cabin partition wall with sliding window
- Rear compartment air duct system
- Ceiling grab handle
- Swing door grab handle

Storage cabinets

- Storage cabinet RH - side wall mount
- Storage cabinet LH - front drawer floor mount
- Digital clock

Digital touchscreen patient compartment control board

- Box interior lighting
- Ceiling extraction fan

Electrical inverter system 2000W

- 220V AC power supply with power sockets
- 12V DC power supply with power sockets

- Air conditioning switch and control panel
- Oxygen set with bracket (M122, 21.4L) - dual tanks
- Fire extinguisher (1kg, rear compartment mount)
- First aid kit level 1 - DIN13164
- Foldable attendant seat (rear-facing seat)
- Main stretcher with mounting base and loading ramp
- Patient bench seat with underneath storage and lap belts - 2 persons
- IV hangers - fixed type
- LED Emergency lightbar**
- Front LED emergency lightbar
- Emergency LED Lights - ambulance body
- Siren & public address system
- Exterior work lights
- Frosted window film, and rear swing doors
- Tinted window film and side body
- Ambulance vehicle decals

Notes:

The company reserves the right to change the vehicle specifications and features described in this publication at any time. Vehicle specifications and features may vary in different markets. Images are for illustrative purposes only and may appear different from the actual vehicle.



NiUFORD

For more information contact: fleetsales@pngmotors.com.pg | fordpng.com

FORD TRANSIT

LIFE SUPPORT AMBULANCE

Optional Features

Negative pressure systems with HEPA air filter

Medical adjunctive supply kit - EN1789

Front-rear intercom system

Rear beacon light (roof mount)

LED emergency light bar (rear)

Reversing alarm

Reversing camera

Two oxygen cylinders with mountings (ME size - 679L)

Fire extinguisher (1kg, cabin mount)

Emergency flashlights on grille (x2)

Emergency hammer

Vehicle premium recovery pack

Waste bin

Medical Equipment

Electric suction aspirator

Extrication collar

Finger pulse oximeter

Head immobilization

Pole stretcher

Portable defibrillator

Portable oxygen set with regulator kit and carry bag (MD size - 425L)

Portable ventilator with assist control

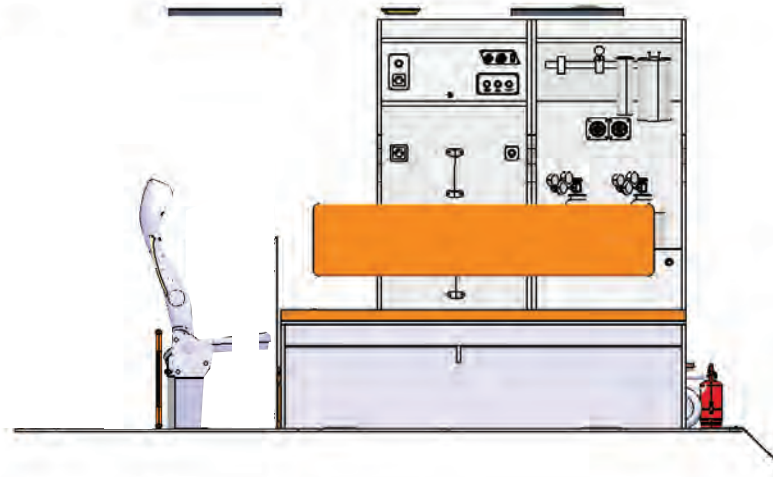
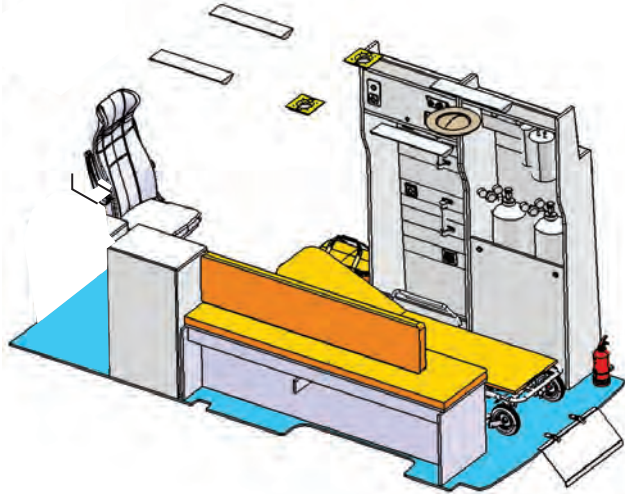
Resuscitator

Scoop stretcher

Spine board - adult

Sphygmomanometer - manual (wall mount)

Sphygmomanometer - automatic



Notes:

The company reserves the right to change the vehicle specifications and features described in this publication at any time. Vehicle specifications and features may vary in different markets. Images are for illustrative purposes only and may appear different from the actual vehicle.



NiUFORD

For more information contact: fleetsales@pngmotors.com.pg | fordpng.com